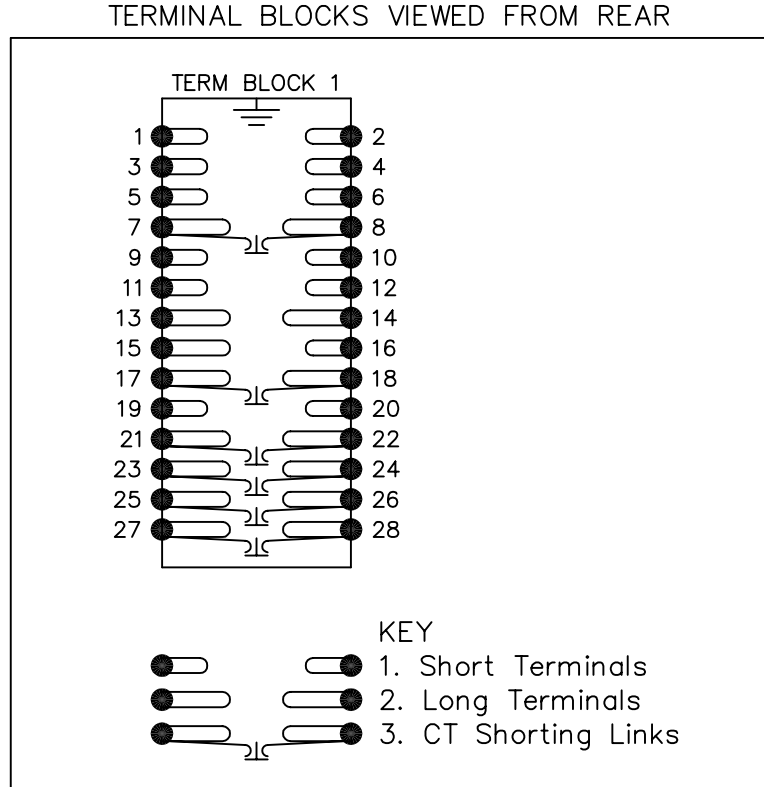
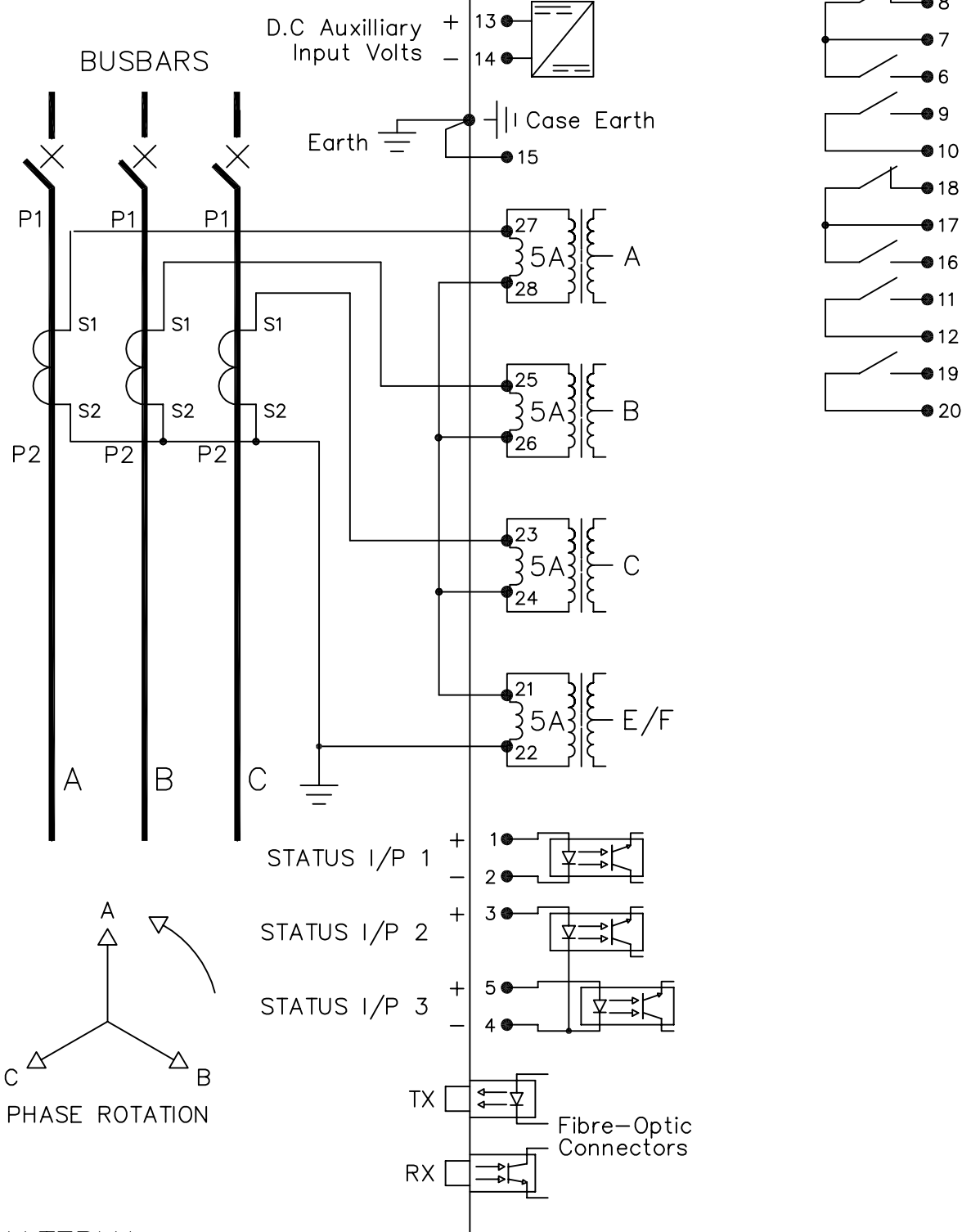


IF IN DOUBT ASK
DO NOT SCALE

A
B
C
D
E

ARGUS 4XX-F



- NOTES
1. CT & EARTH CONNECTIONS ARE TYPICAL ONLY.
 2. APPLICATION SHOWS USE OF HOLMGREEN (RESIDUAL CURRENT) CONNECTION FOR E/F CIRCUIT. USE OF SEPERATE RING-CORE CT IS ALSO POSSIBLE.
 3. STATUS INPUT 2 AND 3 ARE INTERNALLY COMMONED TO TERMINAL 4 (-ve).
 4. FOR TERMINAL DIAGRAM SEE 2434W50013 (A2).

FOR INFORMATION ONLY
UNCONTROLLED COPY
NOT SUBJECT TO UPDATE

MATERIAL:

Dimensions in millimetres : Surface texture in micrometres.
Machine where marked ✓
For explanation of dimensions, tolerances, notes etc. see B.S.308.
Limit on untoleranced unmachined dimensions ± _____
Limits on untoleranced machined dimensions to B.S.4500;
i.e. up to 6±0.1; over 30 to 120±0.3; over 315±0.8;
over 6 to 30±0.2; over 120 to 315±0.5;
General unmachined angular tolerance ± _____

Finish: _____
Treatment: _____

Title:
TYPICAL SCHEMATIC DIAGRAM ARGUS AG1-4XX-F RELAYS
5A (3P/F+E/F) 3xSI, 3NO+2CO, ST/GFO COMMS. INTERFACE

VATECH REYROLLE
AUTOMATION, CONTROL & PROTECTION

Original Scale:
NTS

First used on:
Similar Articles: 2434W10143
Supersedes:
Drg. No.
2434W10145

Copyright © 2004 VATECH REYROLLE ACP Ltd. Hebburn

1	03/12/04	CHANGE NOTED	△
ISSUE	DATE		